

# IBEX ELECTRONIC SPEED CONTROLLER

## INSTRUCTION MANUAL *FIRMWARE VERSION 2.05*

The IBEX product line represents advanced speed controllers for use exclusively in RC airplane models. With integrated telemetry and various possibilities of optional user configuration, the controllers offer high efficiency, low weight and precise motor control.

### FEATURES

- Small dimensions combined with high power motor control.
- Over- and undervoltage protection, overtemperature protection, motor-stall protection.
- Configurable current limiter.
- Fast and precise heli/governor mode with many configuration possibilities.
- Optically isolated throttle input.
- Safety shutdown when the throttle impulse is lost.
- Configurable acceleration, timing, electromagnetic brake, motor reversing etc.
- Low acoustic noise due to high frequency switching.
- Automatic telemetry detection: Duplex EX, Hott, MSB, PowerBox P<sup>2</sup>Bus, S.Bus2. Alternative firmware with Spektrum SRXL2 telemetry support.
- Telemetry (RC system dependent): voltage, current, power, capacity, temperature, RPM, energy.
- Telemetry min/max values are logged.
- Configuration through the transmitter, MAV Manager PC software or external terminal (JETIBOX/SMART-BOX).
- Firmware updates via USB interface.
- Languages: CZ/DE/EN/FR/IT.

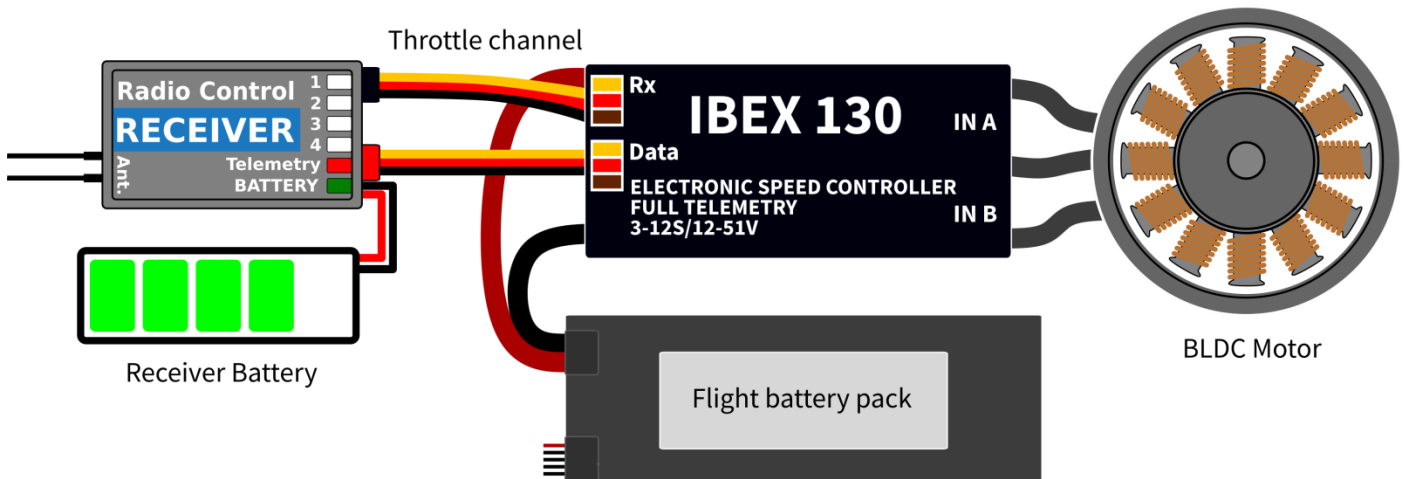
	<b>IBEX-80X</b>	<b>IBEX-120X</b>	<b>IBEX-130X</b>	<b>IBEX-160X</b>	<b>IBEX-200X</b>	<b>IBEX-220X</b>
<b>Dimensions</b>	72x37x15mm	58x53x24mm	58x53x28mm	65x57x31mm	81x63x36mm	81x63x36mm
<b>Weight incl. cables</b>	90g	140g	140g	195g	315g	315g
<b>Continuous current</b>	80A	120A	130A	160A	200A	220A
<b>Peak current</b>	120A/10s	160A/10s	180A/10s	210A/15s	260A/15s	280A/15s
<b>Supply voltage</b>	8 – 51V	10 – 59V (max. 64V)	10 – 51V	10 – 51V	12 – 59V (max. 64V)	10 – 51V
<b>LiPo cells</b>	3 – 12	4 – 14	4 – 12	4 – 12	4 – 14	4 – 12
<b>LiFe cells</b>	3 – 14	4 – 16	4 – 14	4 – 14	4 – 16	4 – 14
<b>Battery/motor cables</b>	4mm <sup>2</sup> /2.5mm <sup>2</sup>	4mm <sup>2</sup> /4mm <sup>2</sup>	4mm <sup>2</sup> /4mm <sup>2</sup>	6mm <sup>2</sup> /4mm <sup>2</sup>	8mm <sup>2</sup> /6mm <sup>2</sup>	8mm <sup>2</sup> /6mm <sup>2</sup>
<b>Anti-spark circuit</b>	No	Yes	Yes	No	Yes	Yes
<b>Recommended connectors</b>	G4 (75A) XT90 (90A)	G5.5 (150A)	G5.5 (150A)	G5.5 / G8	G8 (170A)	G8 (170A)
<b>Temperature range</b>	-10÷110°C					
<b>PWM frequency</b>	20kHz					
<b>Operating current</b>	50mA				60mA	
<b>Standby current</b>	4mA				10mA	
<b>Propeller positioning</b>	With additional Hall-sensor					
<b>Telemetry</b>	Duplex EX, Multiplex MSB, Futaba S.Bus2, Graupner Hott, PowerBox P <sup>2</sup> Bus, Spektrum SRXL2™, FrSky					
<b>Status LED</b>	Yes					
<b>Active Freewheeling</b>	Yes					
<b>BEC</b>	No					
<b>Optical isolation</b>	Throttle input only				Complete	
<b>Maximum RPM</b>	> 300 000 eRPM (2-pole motor)					

## Discontinued products

	<b>IBEX-80</b>	<b>IBEX-120</b>	<b>IBEX-130</b>	<b>IBEX-200</b>	<b>IBEX-220</b>
Replaced by	<b>IBEX-80X</b>	<b>IBEX-120X</b>	<b>IBEX-130X</b>	<b>IBEX-200X</b>	<b>IBEX-220X</b>
Dimensions	57x35x28mm	58x53x24mm	58x53x28mm	81x63x35mm	81x63x35mm
Weight incl. cables	60g	110g	110g	270g	270g
Continuous current	80A	120A	130A	200A	220A
Peak current	120A/2s	160A/2s	180A/2s	260A	280A
Supply voltage	8 - 51V	10 - 59V (max. 64V)	10 - 51V	12 - 59V (max. 64V)	10 - 51V
LiPo cells	3 - 12	4 - 14	4 - 12	4 - 14	4 - 12
LiFe cells	3 - 14	4 - 16	4 - 14	4 - 16	4 - 14
Battery/motor cables	4mm <sup>2</sup> /2.5mm <sup>2</sup>	4mm <sup>2</sup> /4mm <sup>2</sup>	4mm <sup>2</sup> /4mm <sup>2</sup>	6mm <sup>2</sup> /6mm <sup>2</sup>	6mm <sup>2</sup> /6mm <sup>2</sup>
Anti-spark circuit	No	Yes	Yes	Yes	Yes
Recommended connectors	G4 (75A) XT90 (90A)	G5.5 (150A)	G5.5 (150A)	G8 (170A)	G8 (170A)
Temperature range	-10÷110°C				
PWM frequency	20kHz				
Operating current	50mA			60mA	
Standby current	4mA			10mA	
Propeller positioning	With additional Hall-sensor				
Telemetry	Duplex EX, Multiplex MSB, Futaba S.Bus2, Graupner Hott, PowerBox P <sup>2</sup> Bus, Spektrum SRXL2™				
Status LED	Yes				
Active Freewheeling	Yes				
BEC	No				
Optical isolation	Throttle input only			Complete	
Maximum RPM	> 300 000 eRPM (2-pole motor)				

## INSTALLATION

Fasten the controller in your model by the screws. Alternatively, you can use Velcro or double-sided adhesive tape for fixing. Connect the motor and receiver according to the schematic below. You may connect the motor cables in arbitrary order, as changing direction is done by exchanging any of the two cables (alternatively also by the "Direction" parameter in the configuration). Turn on the transmitter followed by the receiver – the receiver uses a separate battery. Now you can plug in the main flight pack.



**Note:** The red LED on the controller will light up for two seconds to indicate proper initialization. After the correct throttle impulse is detected (meaning off position), the controller plays a predefined melody. Now it's ready to fly. If the throttle impulse is not detected for more than 4 seconds (e.g. after disconnecting the receiver battery), the controller will enter standby mode.

**Warning:** Always use brand new, high quality connectors and make sure that the cables are soldered perfectly. Any possibility of losing connection during motor run represents a risk of damaging your electronics.

**Warning:** If you start the controller for the first time, or make any significant changes in the setup, please make sure that the propeller is removed from the motor shaft.

**Warning:** Always disconnect batteries after the flight session ends. Even if the speed controller is turned off by the switch, it still draws some small current. This could result in a completely drained battery within a few days or weeks.

## CONTROLLER MODE

It is possible to choose from several basic controller modes:

- Normal (ramped) – the preconfigured acceleration time is always applied when accelerating. This is a default mode for major use.
- Fast mode – the preconfigured acceleration is applied only when spinning up from zero revolutions. After that, a minimum possible delay is used (0.2s for zero-to-full throttle response).
- Normal with reverse – behaves similarly to the Normal mode. In addition, you can choose a throttle reversing channel that will control the motor direction during flight.
- Heli/Governor – fast and precise control of constant Rpm with many adjustable parameters.
- Bidirectional – motor direction and power are controlled by a single channel. This is a standard car/boat mode.

## THROTTLE INPUT SIGNAL

The controller expects positive impulses from the receiver with maximum refresh rate up to 400Hz. By default, with automatic endpoints selected, the controller will work with vast majority of RC systems. In such case, a minimum throttle impulse is read after startup and the maximum power is dynamically adjusted as soon as you apply full throttle for the first time.

In case you need exact points on your transmitter stick, where the motor starts and where full throttle is, you can configure manual endpoints as well.

**Note:** The controller waits for throttle-low position after startup and also every time the motor is stopped due to any error condition. If the throttle stick is not at the correct position during startup, the ESC plays a warning tone.

## MOTOR SETTINGS

It is possible to configure many of the motor parameters, including acceleration, timing, motor gear ratio or number of poles. The gear ratio and number of poles are important for telemetry to measure the motor speed correctly.

**Acceleration** influences the motor response on the throttle channel. By decreasing the acceleration value, the motor response gets faster, providing more “locked-in” feeling. However, the motor consumes more current and the controller generates more heat. We recommend the default acceleration 1.0s for majority of model types, including electric gliders, scale models, EDFs etc. For 3D aerobatic flight you might go down to 0.5s or even less (with care). For the fastest motor response, you may also set the “Fast controller mode” in the Common Settings.

**Timing** is defined by the motor type and it is usually recommended by the motor manufacturer. It also influences the motor power and current consumption. Higher timing can increase the motor power but care must be taken not to overload the system.

- Automatic timing: The timing is continuously adjusted by the internal algorithm. This is a universal solution compatible with most motor types.
- Timing 0° - 10°: Recommended for inrunners.
- Timing 15° - 20°: Recommended for most outrunners. It offers good power and efficiency combination.
- Timing 25° - 30°: The high torque motors with many poles require the highest timing.

**Motor type** should be modified only in some specific cases where it is necessary by the application. There are three options available:

- “Standard” motor type – recommended for most motor types and applications.
- “High torque” – if you have problems with motor synchronization during fast acceleration, use this mode. Preconditions: large outrunner with more than 20 poles, heavy propeller, large current peaks. We also recommend increasing timing to more than 20°.
- “High speed” – use this mode if your power setup exceeds 250 000 eRPM (revolutions per minute calculated for a 2-pole motor).

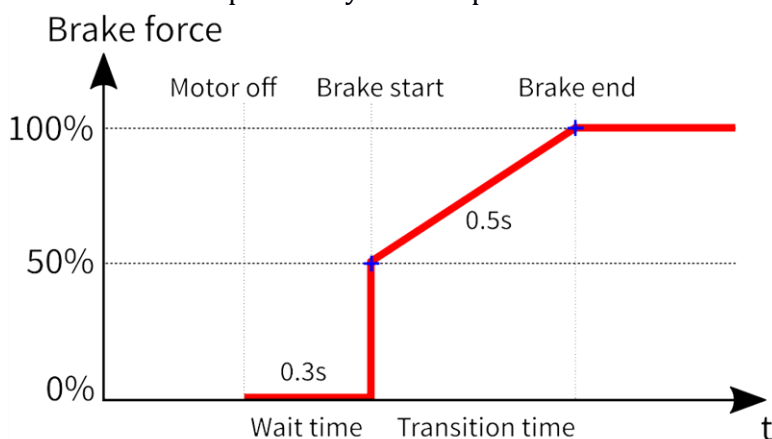
**Startup power** influences the first few motor revolutions. If you are not satisfied with the automatic mode, you can set the motor start to be more aggressive (positive values), or as smooth as possible (negative values).

## BRAKE CONFIGURATION

The electromagnetic brake is a standard feature of all ESCs used in electric glider models. The IBEX controller offers several additional parameters to fine tune the braking function. You can use one of the preconfigured brake settings, or you can specify all the parameters as you wish.

### Brake options:

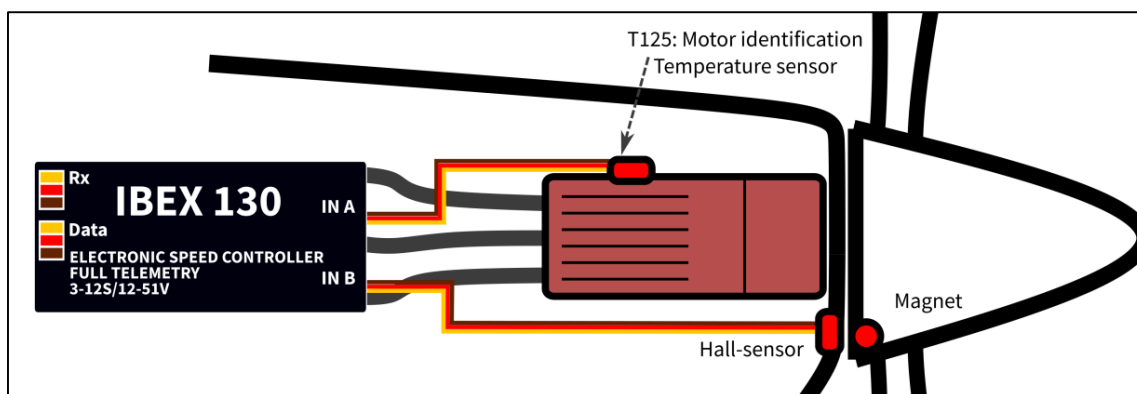
- Off: The propeller spins freely without braking.
- Soft: Transition from zero to full braking force in 1.0s.
- Medium: Transition to full braking force in 0.7s.
- Hard: Transition from 50% to 100% braking force in 0.5s.
- Manual: You can specify all brake parameters manually:
  - Start power – braking force applied from the first moment of applying the brake.
  - End power – braking force applied after the transition time elapses (usually the full braking force that stops the motor completely).
  - Transition – time between brake start power and brake end power. During this time, the braking force continuously transits from start to end power.
  - Wait time – time between unpowering the motor and applying the brake. During this time the motor spins freely without power.



**Example:** Motor brake with the following parameters: Start power = 50%, End power = 100%, Transition = 0.5s, Wait time = 0.3s.

## PROPELLER POSITIONING

The positioning feature allows moving the motor/propeller to the exact position required for safe landing, or which is just comfortable for further flying. With just a few external components (Hall-sensor and a small magnet) you can enable this feature and prevent the risk of damaging your propeller during landing. The magnet needs to be properly fixed to the rotating part (either motor or the propeller), and the Hall-sensor has to be located in the fuselage, so that the magnet matches the Hall-sensor at the target propeller position. After enabling the positioning feature in the menu (Prop Position = *Hall Sensor*), set also the Positioning PWM, so that the motor spins slowly but smoothly. You may also change the duration of actively held motor position (Position Hold Time) which is applied after the correct position is found. The position-hold feature is useful in case of retractable engine since it doesn't allow propeller to be moved while retracting.



Connect the Hall-sensor of the propeller positioning function to the **IN-B** port of the controller.

**Note:** Use a high quality CA or Epoxy glue to fix the magnet in the rotating part. You can also drill a small hollow in the spinner and fix the magnet in it.

**Warning:** Do not use higher PWM than necessary otherwise the motor may overheat. Generally use as low PWM as possible so that the motor holds its position reliably. Check the current consumption using the telemetry.

## MOTOR IDENTIFICATION

Some motor brands contain an integrated temperature sensor compatible with the IBEX speed controller. This sensor (T125-ID) might be used as a standalone telemetry sensor with Duplex/Hott/S.Bus2 telemetry support. Alternatively, the sensor can be directly connected to the Input port „A“ of the controller (see the picture above). From this moment on, the IBEX controller will know the basic motor parameters (minimum acceleration, recommended timing, gear ratio, number of poles...) and motor temperature as well. Some parameters are adjusted automatically (gear ratio, poles), the other settings are configured after resetting the controller to factory defaults. Connect the motor-identification sensor into the **IN-A** port of the controller.

## ACTIVE FREEWHEELING

“Active freewheeling” or “Active braking” is a feature of the speed controller that reduces heat generated by the ESC during partial load operation. This mode is useful for aerobatic pilots who want not only fast acceleration, but also rapid deceleration. The motor follows throttle stick input in both ways and the pilot feels more “locked-in”.

## CURRENT LIMITER

The current limiter is a part of safety controller features. It doesn't stop the motor but rather continuously monitors the immediate current consumption and adjusts the motor power. You can enable this feature, specify the maximum allowed current and the ESC will reduce the motor power immediately as soon as the current threshold is exceeded. After the current returns back to the safe level, the motor power is restored.

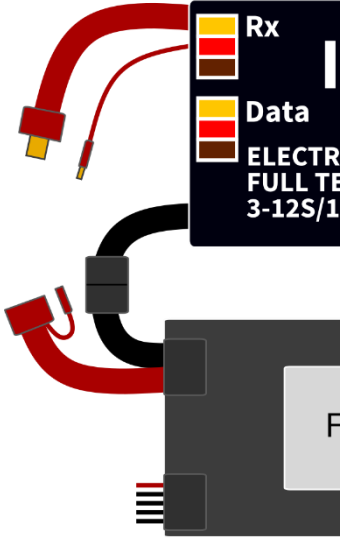
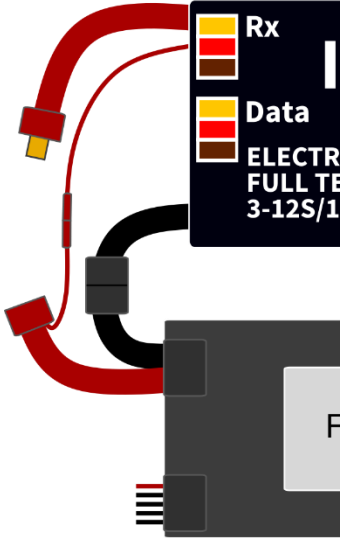
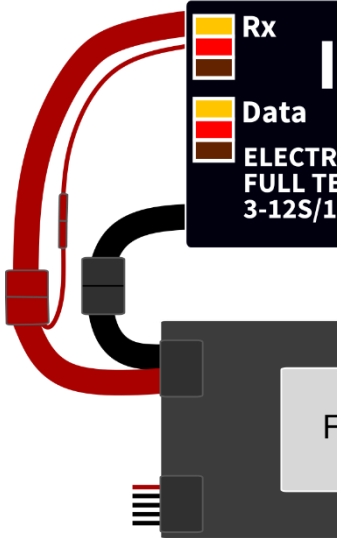
## BATTERY PROTECTION

The integrated battery protection is based on undervoltage detection and reducing motor power, alternatively shutting down the motor completely. You are free to set the number of cells (or leave automatic detection) and low voltage threshold per cell. Supported battery types are NiXX (1.2V), LiFe (3.6V max) and LiIo/LiPo (4.2V max).

## ANTISPARK FEATURE

The IBEX-120/130 and IBEX-200/220 controllers contain an additional circuit which can be optionally used to prevent sparks when the battery is connected. This circuit is linked to the flight pack using a separate cable. Use the antispark cable only for precharging the controller. Never use the cable for powering the motor or any external electronic components.

## Usage

		
1. Connect the Minus (-) battery pole.	2. Connect the antispark cable to the Plus (+) battery pole.	3. Connect the Plus (+) battery pole.

**Note:** If you use the power connectors with integrated antispark mechanism, it is not necessary to use the antispark feature of the ESC anymore. For example, the XT90 connectors with integrated antispark can be used.

## STATUS CODES

The status codes are shown on the screen (JETIBOX/SMART-BOX) if any kind of error condition occurs. If any status code is set, the red LED continuously flashes.

### Available status codes:

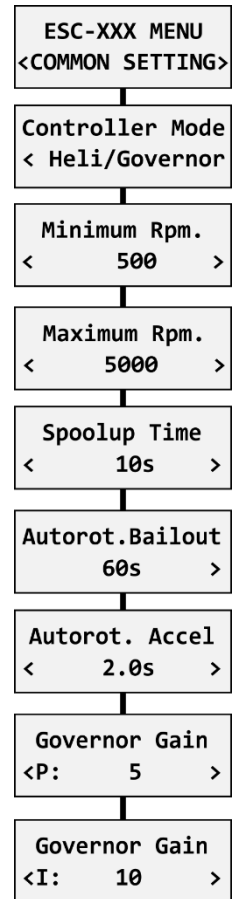
- Low voltage (UL): The battery voltage got below the threshold specified in the battery protection menu and the controller either reduced the maximum power, or shut down the motor completely.
- High voltage (UH): In case you use a weak battery or wall power supply, the voltage might rise above the initial level during braking. In such case the alarm is set and all braking functions are disabled.
- High current (IH): The current got higher than the maximum peak current defined in the product specification (120A for IBEX-80, 200A for IBEX-130).
- High temperature (T100, T110, T120): The temperature got above the safety threshold level. The numerical value specifies maximum detected temperature and safety protocol which has been applied.
- Commutation error (COM): A synchronization error has been detected during the motor operation. It usually occurs when the motor stops abruptly, or in case of very fast acceleration for some specific setups. This error could mean a serious issue in the motor-controller installation.
- Overcurrent stop (IM): The motor has been stopped due to an enormous current flowing through the circuit, preventing further damage.

## HELI/GOVERNOR MODE

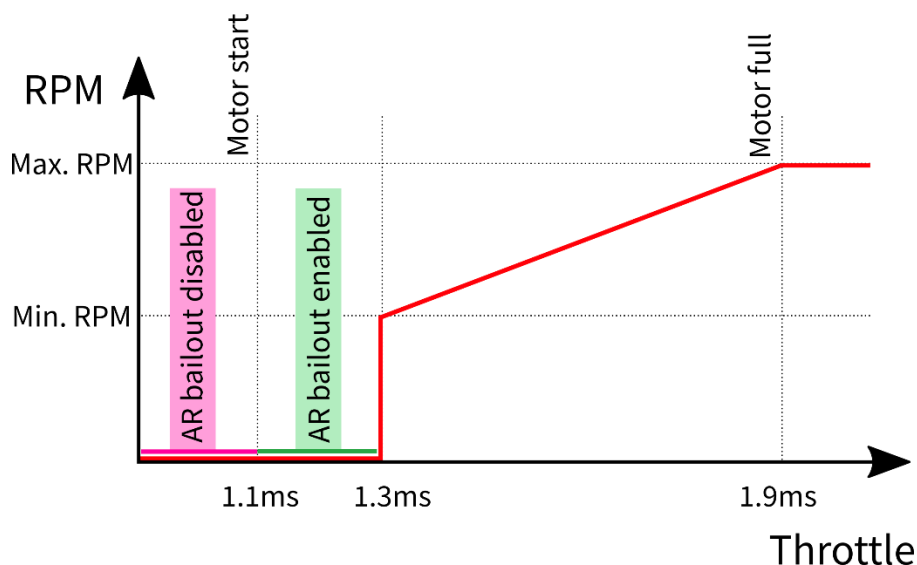
The speed controllers contain a fast and precise governor function. You are able to configure the governor mode in many aspects according to your preferences.

Before enabling the governor mode, please make sure the blades are removed. In the *Common Setting* menu, set the *Controller Mode* to “Heli/Governor” and proceed through the settings below:

- Set the minimum and maximum RPM of the main rotor according to your preferences. As soon as you move the throttle away from idle position, the controller slowly spools up until it reaches the target speed. The speed is calculated according to the throttle channel value, where low throttle corresponds to the “Minimum Rpm” and high throttle corresponds to “Maximum Rpm.”
- Set the *Spoolup Time* to make the motor startups as smooth as possible. You may set the time up to 60s. The spoolup time is applied when the motor starts from zero revolutions or if the autorotation bailout is disabled.
- Configure the *Autorotation bailout* time and autorotation acceleration time. The autorotation bailout function is used in case you need to quickly exit the autorotation and prevent your model from crashing. In this case, as soon as you move the throttle channel away from idle position, the “Autorotation acceleration” will be used to spin the motor until it reaches the required speed. The “Autorotation bailout” parameter sets the time after switching off the motor, where the autorotation bailout function may be activated. After exceeding this time, a standard spool-up time will be applied.
- Advanced setting: Governor gains – (P)roportional and (I)ntegral. You may modify the gains to fine tune the controller response to fast changes in the load during flight maneuvers. Please perform the changes only in small steps and verify the resulting behavior in a short test flight.
  - Increase the P gain to eliminate small Rpm fluctuations during straight flight, e.g. while hovering. If you hear some unexpected noise in the motor/gearbox (which means fast oscillations), reduce the P gain by 20%.
  - Increase the I gain to hold the precise revolutions during maneuvers. If the motor speed starts to oscillate noticeably, reduce the I gain by 20%.
- In the Governor mode, manual throttle endpoints are always used (by default 1.1ms – 1.9ms) and Active braking is enabled as well.

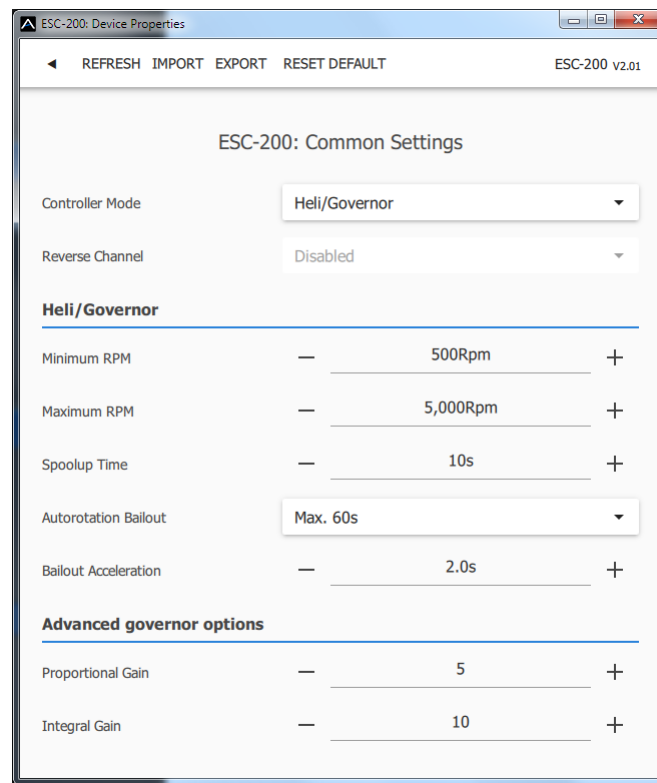


The picture below shows RPM response vs. throttle position. In this case, default throttle endpoints have been used (1.1ms – 1.9ms).



**Note:** Please make sure the gear ratio and number of motor poles are correctly set in the *Motor Setting* menu. Also, please verify that the brake is disabled and check the state of the propeller positioning function.

Please note that dynamic changes of the motor revolutions in flight are limited by the “**Acceleration**” parameter configured in the *Motor Setting* menu. Please make sure the acceleration is slow enough, so that changing revolutions in flight does not lead to sudden changes in model attitude.



## MOTOR DIRECTION REVERSING – NORMAL MODE WITH REVERSE

The controller provides two methods for bidirectional operation. The "Normal with Reverse" *Controller mode* is designed for airplane models, allowing for rapid braking by reversing the thrust direction.

The motor reverse feature is available for RC systems with bidirectional bus support (EX Bus, P<sup>2</sup>Bus, SRXL2, S.Bus2, F.Port, F.Bus). To control the motor direction you need to define an additional channel transferred through the bus system. Both cables (red and black) of the IBEX speed controller must be properly linked with the receiver.

First, you need to create an additional channel on your transmitter to control the motor direction. This channel should be operated by a two-position switch.

### **Futaba/Spektrum:**

Use one of the AUX channels and remember the channel number. It is not necessary to use just the channels available on your receiver since the RC systems usually offer more channels over the bus than the physical number of receiver ports.

Example: If you use Spektrum NX6 and a 6-channel receiver, you may still use the channel No. 7 (AUX2) to control the reversing feature over the bus.

### **JETI:**

Create a new model function in the *Model - Functions Assignment* menu and assign a spare two-position switch. After that, in the *Model - Servo Assignment* menu, assign the function to one of the receiver channels (1-16). Again, you may use the channels that are not directly available on the receiver outputs (e.g. 13-16) since they will be transferred through EX Bus without limitation.

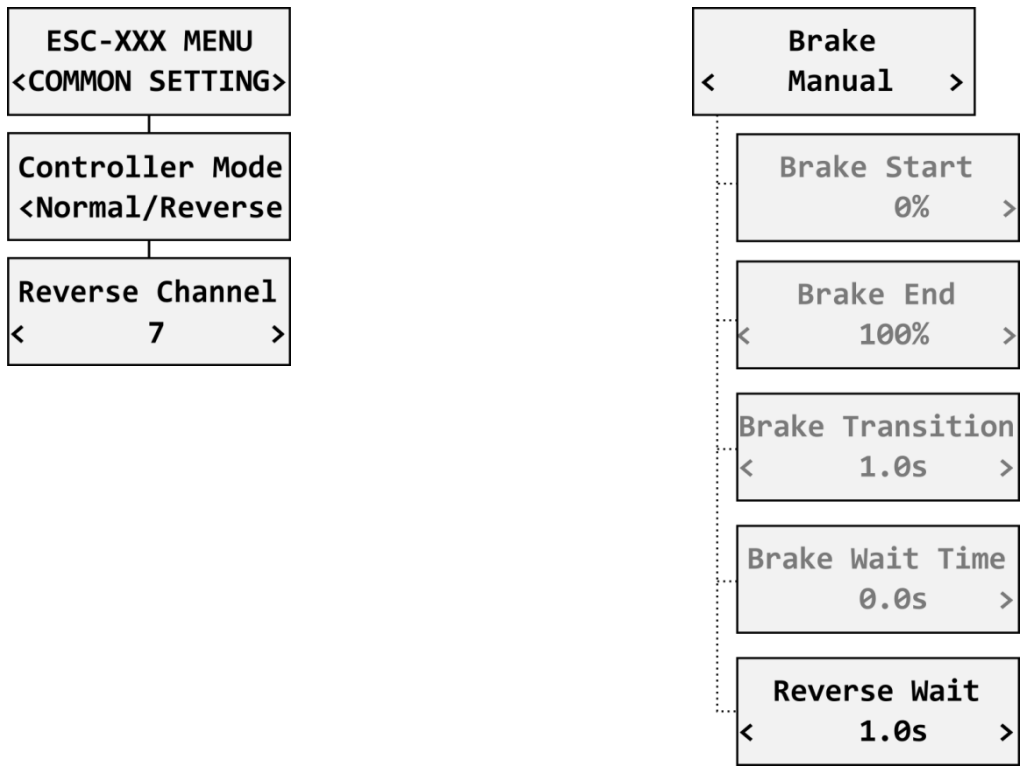


**PowerBox:**

Create a new model function in the *Function menu* by pressing the “+” button and assign it a 2-position control switch. Choose one of the available servo output channels (1-16). The switch position will be transferred over the P<sup>2</sup>Bus to the speed controller.

To enable the motor reverse function in the controller, set the “Controller Mode” to “Normal/Reverse” and set the correct channel from the previous step. You may also play with the brake settings and *reverse wait time* under “Manual” brake type.

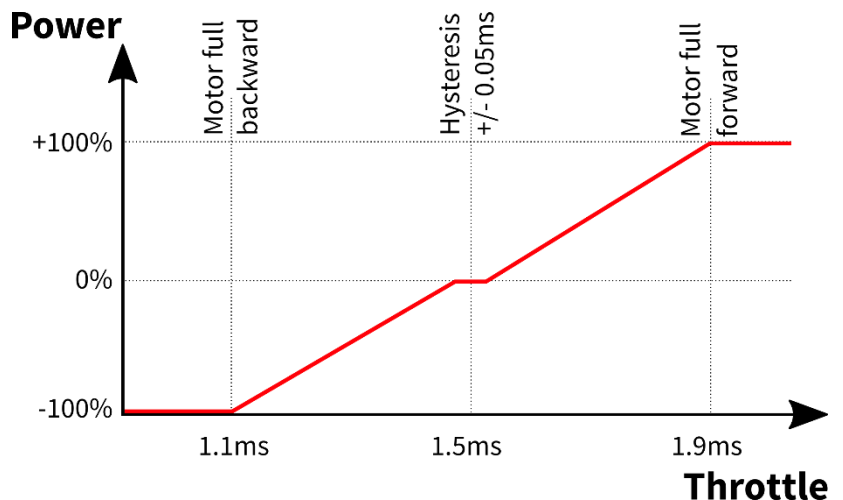
Check the function: As soon as you flip the direction switch, the controller activates braking, and after some short pause, the motor starts spinning in the opposite direction.



**Note:** The brake is always enabled in the “Normal/Reverse” and “Bidirectional” modes. Even if you set the brake type to “Off”, the **Soft braking** will be applied.

**MOTOR DIRECTION REVERSING – BIDIRECTIONAL MODE**

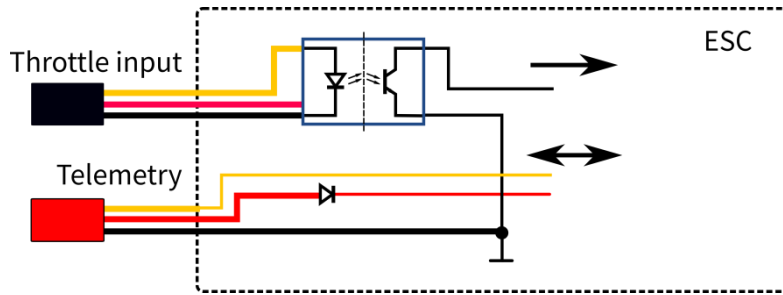
By setting the controller mode to "Bidirectional," you can enable the standard bidirectional operation commonly used in car or boat models. Before initialization, the controller waits for the input signal to be at the middle position (1.5ms), which represents zero throttle. Moving the stick forward sets the motor to rotate in the forward direction, while pulling the stick back sets it to reverse direction. In this mode, the throttle input endpoints need to be manually configured (default values are 1.1ms to 1.9ms).



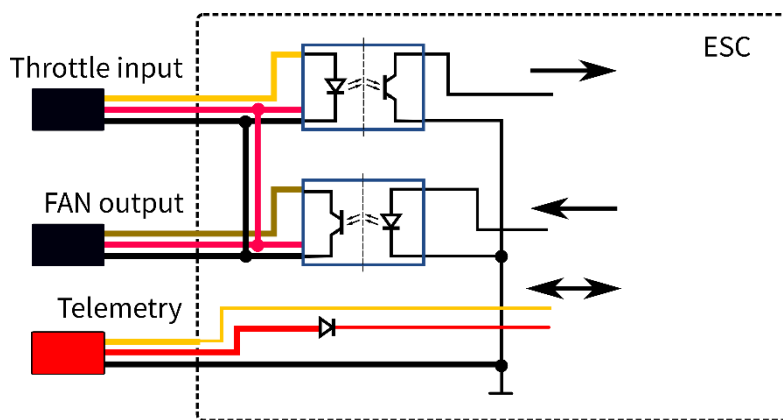
**GALVANIC ISOLATION**

The IBEX-80, IBEX-120/130/160 have an optically isolated throttle input. The IBEX-200/220 uses galvanic separation for all signal cables.

**IBEX-80 and IBEX-120/130 schematic:**

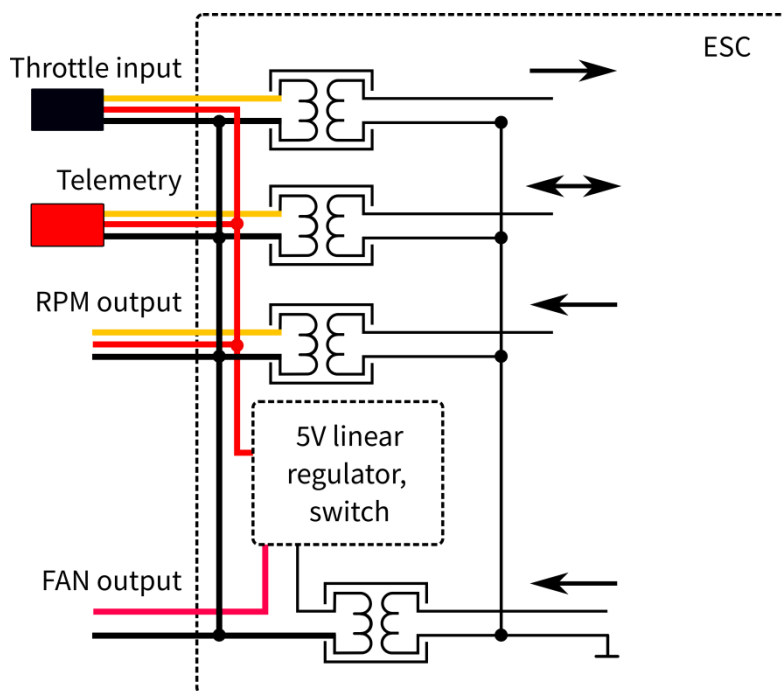


**IBEX-160 schematic - optically isolated fan output:**



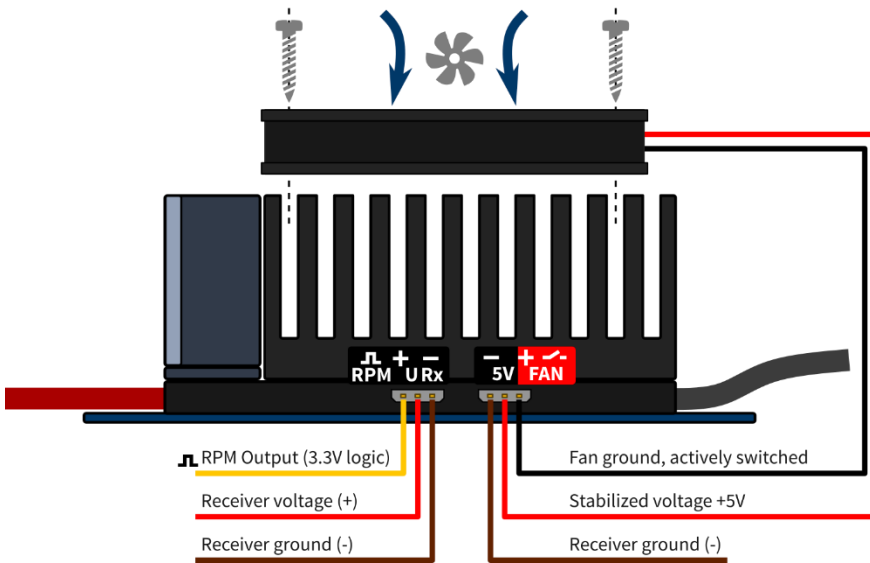
The IBEX-160 contains a driven output for the external fan (5-8.4V, up to 500mA). It is activated as soon as the controller temperature reaches 55°C. The fan voltage is not stabilized.

**IBEX-200/220 schematic:**



## FAN CONTROL

The IBEX-200/220 contains a driven output for the external fan (5V, up to 300mA). It is activated as soon as the controller temperature reaches 55°C.

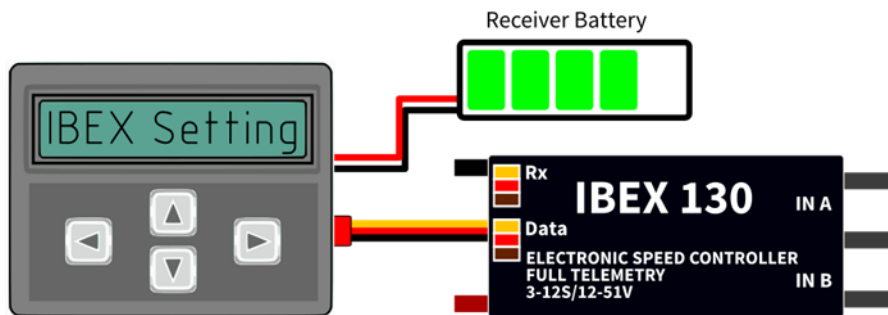


Use only a suitable fan which is sold as an additional controller accessory. Mount the fan on top of the heat sink using the included screws.

Connect the fan to the controller port labeled „FAN“ according to the picture on the left. The fan is powered from the receiver battery with voltage stabilized to 5V.

## TELEMETRY AND SETTINGS

Plug the red data cable into the sensor slot of the JETIBOX / SMART-BOX (or corresponding receiver). Power it up with a battery (4.5 - 8.4V). Now you can safely configure the controller using the arrows on the terminal.



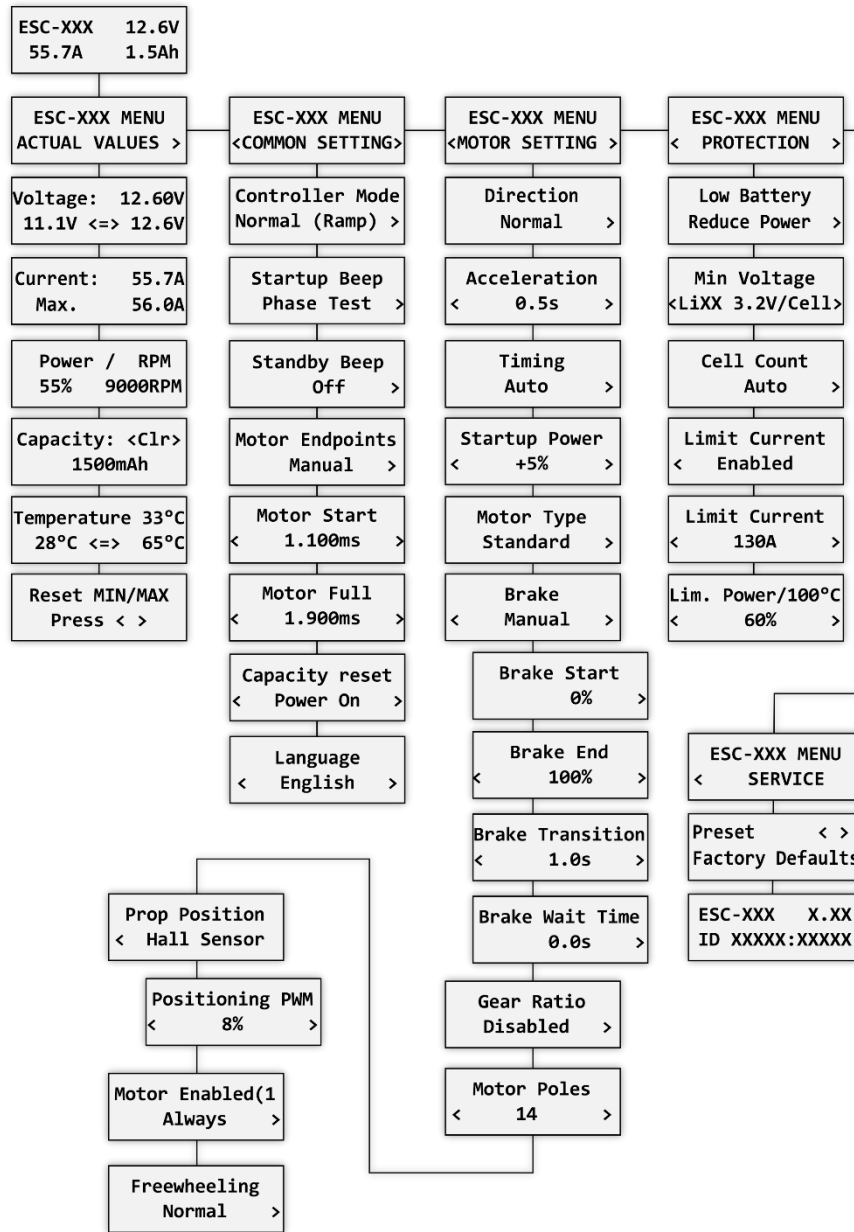
The IBEX ESC is compatible with JETIBOX programming. The JETIBOX menu is divided into five sections:

- **Actual values** – displays the latest telemetry values together with minimums and maximums.
  - Available telemetry: Voltage, current, capacity, RPM, power (percent), temperature.
  - If the motor chip ID is connected, also motor identification and temperature are shown.
  - Reset Min/Max - press left+right buttons together to reset all minimums and maximums.
- **Common settings** – basic settings of the controller
  - **Controller mode** – basic controller mode (normal or fast).
  - **Startup beep** – choose a melody played after the controller initialization.
  - **Standby beep** – you can activate short repeated beeps as an indication of a powered motor drive.
  - **Motor endpoints, motor start, motor full** – settings related to throttle input signal decoding.
  - **Capacity reset** – you can choose at which moment the capacity and consumed energy are reset.
    - **Power on** – the capacity is cleared after initialization. However, the capacity from the previous run is shown initially, until you start the motor.
    - **Voltage change** – the capacity is cleared after you connect a battery with similar (or greater) voltage compared to the maximum battery voltage from the previous run. This means that each time you connect a fully charged battery of the same chemistry and number of cells, the capacity will be cleared.
    - **Manual** – the capacity/energy is never cleared and you must perform the reset manually.
  - **Language** – you can choose the language of the JETIBOX screen.
- **Motor settings** – settings related to motor parameters.

- **Direction, acceleration, timing, startup power, motor type, gear ratio, motor poles** – see the Motor Settings chapter.
- **Brake related settings** – see the Brake configuration chapter.
- **Prop position, positioning PWM, position hold time** – see the chapter Propeller positioning.
- **Propeller Positioning** options:
  - **Disabled** – the function is inactive.
  - **Hall Sensor** – the positioning function becomes active as soon as the motor stops spinning.
  - **Hall S/Retry** – the function is active, with automatic positioning restart in case of failure detection.
  - **Hall S/Retry x2** – doubles the speed of rotation during positioning process.
  - **Hall S/Retry x3** – triples the speed of rotation during positioning process.
- **Positioning offset** – you are able to precisely tune the resting position of the propeller even if the magnet/hall sensor are not perfectly aligned. Please make sure the magnet is still in the range of the Hall sensor after applying the required offset to the propeller position. If the magnet is not in the range at the target position, the procedure won't succeed.
- **Motor Enabled (0/1)** – motor operation can be enabled or disabled based on the logical state of the specific input "IN B.2" (connector pinout from left to right: 1 = Hall sensor input, 2 = Motor enable input, 3 = 3.3V, 4 = Ground). If you choose an "InputPin Log0/1" option, you must pull throttle low before starting the motor. On the other hand, after choosing the "Autostart Log0/1" option, the controller will start spinning as soon as the input pin state allows it and throttle position is above idle position.
- **Freewheeling** – enables freewheeling/active braking motor operation.
- **Protection** – ESC and battery protection settings.
  - **Low battery** – behavior when the battery is discharged. Either set to slowly reduce the motor power, or shut down the motor immediately. The minimum safe voltage is based on number of cells (cell count) and voltage per cell.
  - **Limit current** – enable this feature to prevent high current peaks and system overload.
  - **Limit power at 100°C** – you can edit the maximum allowed PWM after the controller temperature exceeds 100°C. The model must be operable, but the temperature must not increase anymore.
- **Service** – In this menu you can view the device version and reset it to the default factory configuration.

## JETIBOX Menu Structure

## Available EX and P<sup>2</sup>Bus telemetry



1. Battery voltage [V]
2. Motor current [A]
3. Capacity [mAh]
4. Speed [RPM]
5. PWM [%]
6. Power [W]
7. Running time [s]
8. Energy [Wmin] – useful feature for competitions where total energy is limited (F5B, F5D).
9. Temperature [°C]
10. External temperature [°C] – if the motor identification chip is connected, the ESC forwards motor temperature in its own telemetry.
11. Motor status:
  - 0 = Initial state,
  - 1 = motor running,
  - 2 = braking,
  - 3 = positioning started,
  - 4 = position found.
  - 5 = position error (prop out).

## Graupner Hott Menu Structure

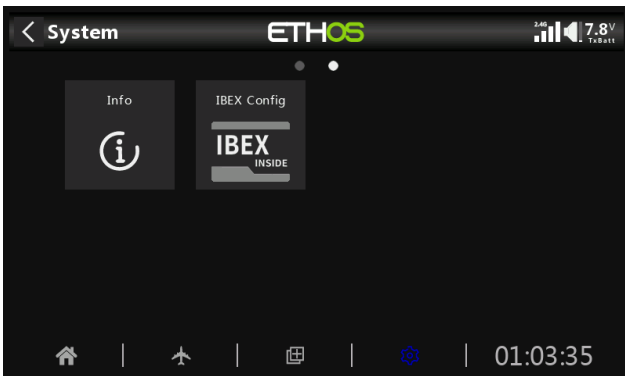
ESC-XXX VX.XX VOLTAGE 12.60V 11.1V / 12.6V CURRENT 55.7A MAX. 56.0A CAPACITY 1500mAh PWM 55% 9000RPM 1/10	ESC-XXX VX.XX TEMPERATURE 33°C 28°C / 65°C RESET CAPACITY >RESET MIN/MAX RESET DEFAULT 2/10	ESC-XXX VX.XX >LANGUAGE English CONTROLLER MODE Normal (Ramp) STARTUP BEEP Phase Test 3/10	ESC-XXX VX.XX >STANDBY BEEP OFF MOTOR ENDPOINTS Manual MOTOR START 1.10ms MOTOR FULL 1.90ms 4/10	ESC-XXX VX.XX >CAPACITY RESET Power On DIRECTION Normal ACCELERATION 0.5s TIMING Auto 5/10
ESC-XXX VX.XX >STARTUP POWER Auto MOTOR TYPE Standard GEAR RATIO Off 6/10	ESC-XXX VX.XX >MOTOR POLES 14 BRAKE Manual BRAKE START 0% BRAKE END 100% TRANSITION 1.0s WAIT TIME 0.0s 7/10	ESC-XXX VX.XX >FREEWHEELING Normal PROP POSITION Hall Sensor POSITIONING PWM 7% MOTOR ENABLED (1) Always 8/10	ESC-XXX VX.XX >LOW BATTERY Reduce Power MIN VOLTAGE LiXX 3.2V/Cell CELL COUNT Auto 9/10	ESC-XXX VX.XX >LIMIT CURRENT Yes MAX. CURRENT 130A LIM.POWER/100°C 60% 10/10

The IBEX controller is recognized by default as an “Air-ESC” sensor.

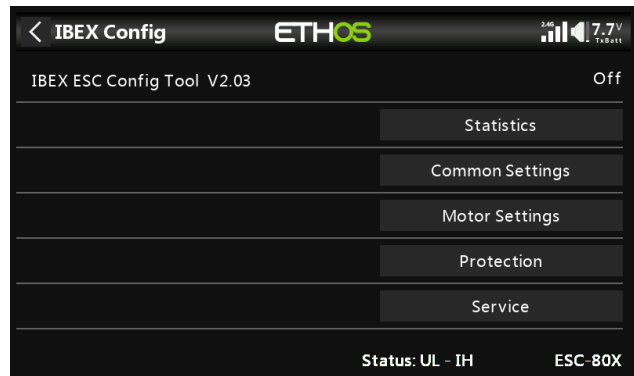
## FrSky Integration

The controller is compatible with FPort and FBus capable receivers, allowing both telemetry and configuration capabilities. The controller receives channel information and sends back telemetry data. It can decode all channel data from FBus 8 up to FBus 24, but only the first 16 channels can be used for internal functions, such as throttle reversing.

To configure the controller, the Ethos system (minimum version 1.4) is required. You need to download the corresponding Lua application to your transmitter and place it in the "scripts" folder. Launch the application from the second page of the Configuration menu. Note that only one controller should be connected to the telemetry bus at a time to avoid address conflicts.



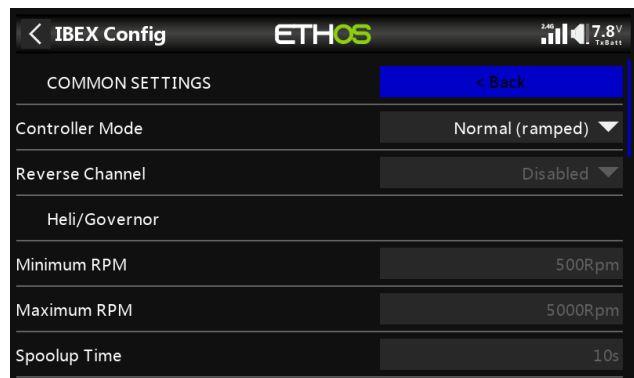
The IBEX Config app is available in the Configuration menu.



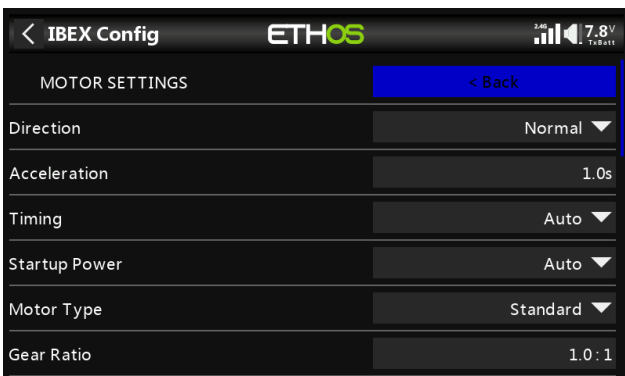
The IBEX main menu displays the controller status and offers links to all submenus.



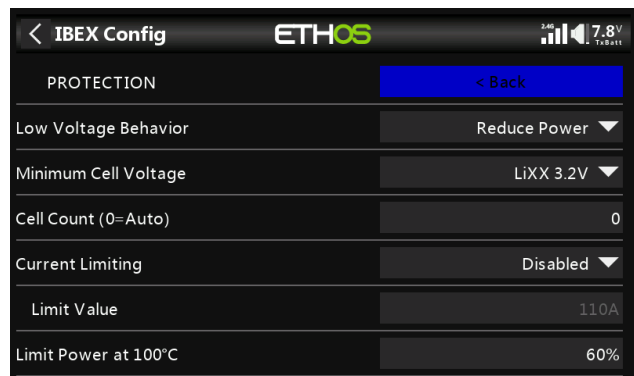
Statistics screen.



Common Settings.



Motor Settings.



Protection menu.

## Futaba and Multiplex connection

Futaba and Multiplex systems do not offer wireless device configuration. The telemetry transmission is possible with the following fixed sensor slots:

	Futaba S.Bus2 slot	Note	Multiplex MSB slot
<b>RPM</b>	2	Choose RPM sensor on slot 2.	6
<b>Current</b>	3	Choose SBS01C current sensor on slot 3.	3
<b>Voltage</b>	4		2
<b>Capacity</b>	5		4
<b>Temperature</b>	6	Choose Temp125 sensor on slot 6.	5
<b>PWM (0-100%)</b>	7	Choose Temp125 sensor on slot 7.	-
<b>Motor temperature</b>	-		7
<b>Note</b>	Manual detection in the menu Linkage – Sensor.		Automatically detected by the transmitter.

## PowerBox telemetry

The IBEX controller is able to recognize the PowerBox P<sup>2</sup>Bus telemetry protocol. Connect the Telemetry cable (red connector) to the P<sup>2</sup>Bus port of the receiver. The transmitter scans for attached sensors as soon as the receiver is powered up and the controller telemetry should be available within 2.5 seconds. After that you are free to assign the telemetry to any desktop widgets and alarms. Available telemetry is similar to the Duplex EX telemetry (see above). The controller configuration through the PowerBox transmitter is not available at the moment.

## Spektrum integration

The Spektrum telemetry support is integrated in a special firmware version. This alternative firmware offers the SRXL2 telemetry and setting using the TextGen protocol. The IBEX controller is represented in the transmitter by two telemetry devices:

- “ESC” shows battery voltage, current, BEC voltage, ESC temperature, RPM and power output.
- “Flight Pack Capacity” sensor that shows the consumed battery capacity.

Connect the Throttle cable (black connector) to the *Thr* (1) receiver port. For proper telemetry/setting also connect the Telemetry cable (red connector) to the *Prog/SRXL2* receiver port. The controller normally delivers only numerical telemetry. The textual menu (TextGen) is available only after a special procedure is performed during startup:

- We assume the *Throttle* and *Telemetry* cables are connected correctly and the transmitter is turned on. Now push the throttle high.
- Turn on the ESC either by connecting the flight pack or by flipping the external switch.
- The motor will beep indicating detection of the high throttle impulse. After 3 seconds, another beep announces entering the programming menu.
- Now you may pull throttle low On the transmitter main screen scroll right to locate the TextGen menu. The motor will never start spinning if the textual menu is enabled. To enable normal motor operation, you have to leave the TextGen menu by choosing the “Exit” option on the first page.
- Navigation in the menu is provided by the transmitter sticks – elevator stick moves the cursor up/down and aileron stick changes the selected value.
- The configuration changes are saved immediately after any value is edited.

**Note:** Use the latest firmware version in your transmitter and receiver. For Spektrum NX, at least version 3.06 has to be installed. Recommended receivers: AR8360T, AR8020T, AR6610T, AR631T, AR637T...

**Note:** The IBEX version 2.01 and later is compatible with Spektrum single-cable operation (Smart Throttle). To enable this function, just plug the red telemetry cable into receiver channel No.1 and keep the other (black) cable unplugged. You will be able to control throttle as well as receive telemetry. This approach is compatible with AR10400T receiver family as well.

**Note:** If you use an ESC with a galvanic isolation (IBEX 200/220), always **turn on the ESC before the receiver**. Otherwise the telemetry functions may not work.

1) Welcome page

```
ESC-XXX X.XX
      0RPM
12.6V 0.0A
>TELEMETRY
•COMMON SETTING
•MOTOR SETTING
•PROTECTION
•Factory Defaults
•Exit
```

2)  
3)  
4)  
5)

2) Telemetry page

```
ESC-XXX X.XX
>Back
12.6V 0.0A
Max. 56.0A
      1500mAh
      33°C
28°... 65°C
•Clear Capacity
•Reset MIN/MAX
```

3) Common setting

```
ESC-XXX X.XX
>Back
•Language
  English
•Controller Mode
Normal (Ramp)
•Voltage BEC
  5.5V
•Switch type
  Mechanical
•Backup Battery
  No
•Startup Beep
  Phase Test
•Standby Beep
  Off
•Motor Endpoints
  Manual
•Motor Start
  1.10ms
•Motor Full
  1.90ms
•Capacity reset
  Power On
•Back
```

4) Motor setting

```
ESC-XXX X.XX
>Back
•Direction
  Normal
•Acceleration
  1.0s
•Timing
  Auto
•Startup Power
  Auto
•Motor Type
  Standard
•Gear Ratio
  Off
•Motor Poles
  14
•Brake
  Manual
•Brake Start
  0%
•Brake End
  100%
•Transition
  1.0s
•Wait Time
  0.0s
•Freewheeling
  Normal
•Prop Positioning
  Hall-Sensor
•Positioning PWM
  7%
•Pos.Hold Time
  10s
•Motor Enabled
  Always
•Back
```

5) Protection

```
ESC-XXX X.XX
>Back
•Low Battery
Reduce Power
•Min Voltage
  LiXX 3.2V
•Cell Count
  Auto
•Limit Current
  Yes
•Max. Current
  80A
•Lim.Power/100°C
  60%
•Back
```

SAFETY INFORMATION

- Operate the IBEX controller always in dry environment and within the device limits stated in this guide. Never expose the device to excessive heat or cold outside the working area.
- Provide sufficient airflow to prevent controller overheating.
- Never exceed the maximum allowed operating voltage of the controller/motor.
- Do not increase the cable length between the controller and motor. If you need to extend the wires between the controller and the battery to more than 30 cm (in total), solder multiple high-capacity Low-ESR capacitors (220-470uF) in parallel to the power wires as close to the controller as possible. For each centimeter beyond the specified cable length, add a capacitance of 1uF for every ampere of current passing through. For example, if you exceed the limit by 10 cm with a current of 100A, solder a 1000uF capacitors pack.
- Always use high quality connectors in good condition. Replace them if any visible sign of wearing appears.
- Always remove the propeller prior to making any changes in drive setup.
- Never disconnect the ESC from the battery while the motor is spinning.
- Do not remove the cover and heat sink from the device and do not try to implement any changes or modifications. This can lead to a total destruction and to the denial of any warranty claims.
- Always check the polarity of the connection. Never inverse the polarity – this could lead to total destruction.

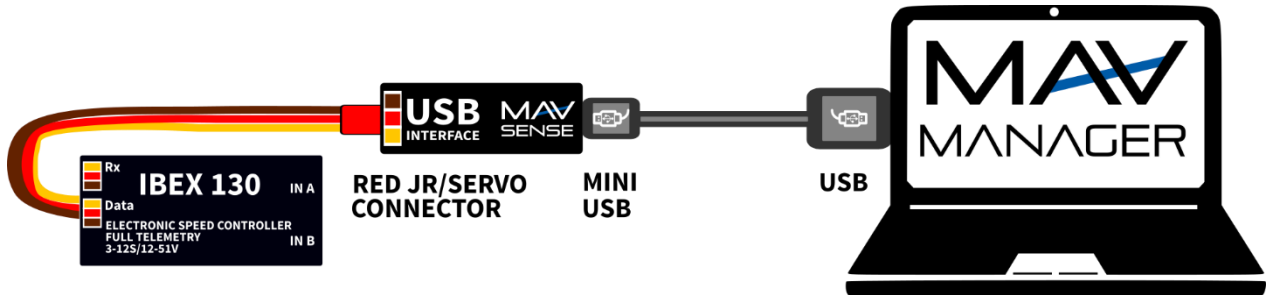


## FIRMWARE UPDATE

Firmware updates for the IBEX ESC are transferred from a PC via the USB interface. The required programs and files are available at [www.mavsense.com](http://www.mavsense.com).

Install the MAV Manager software and the USB drivers on your computer. Check the system requirements.

- 1) Make sure that the battery flight pack is disconnected and the IBEX ESC is unpowered.
- 2) Connect the USB interface to your PC, run MAV Manager - Updater and select the correct COM Port.
- 3) Connect the IBEX ESC according to the picture below – use the red (telemetry) port. The controller will be automatically detected.
- 4) Select the correct \*.BIN file and press the Update button.



**Note:** The IBEX-80 and IBEX-120/130 do not require connecting the flight pack prior to updating. These controllers are powered directly from the USB interface.

On the other hand, the IBEX-200/220 requires connecting at least a 3S LiPo main battery since the power circuit is completely galvanically isolated from the signal interfaces. Always start the MAV Manager first and connect the controller through the USB interface. **The external battery should be connected afterwards to prevent the controller going to sleep mode.**

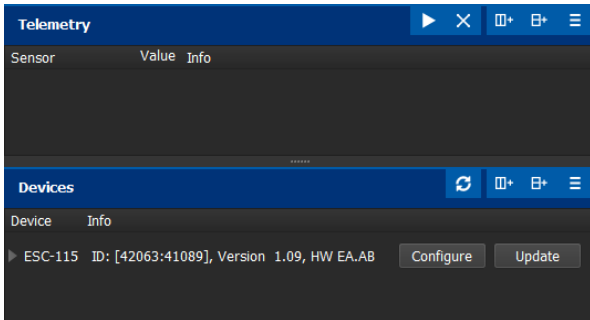
**Note:** The firmware is separated into three independent files, based on the telemetry compatibility (always choose one according to your system):

- ESC\_COMMON – compatible with JETI, Graupner, Multiplex and Futaba telemetry systems.
- ESC\_SPEKTRUM – compatible with Spektrum and JETI telemetry systems.
- ESC\_FRSKY – compatible with FrSky and JETI telemetry systems.

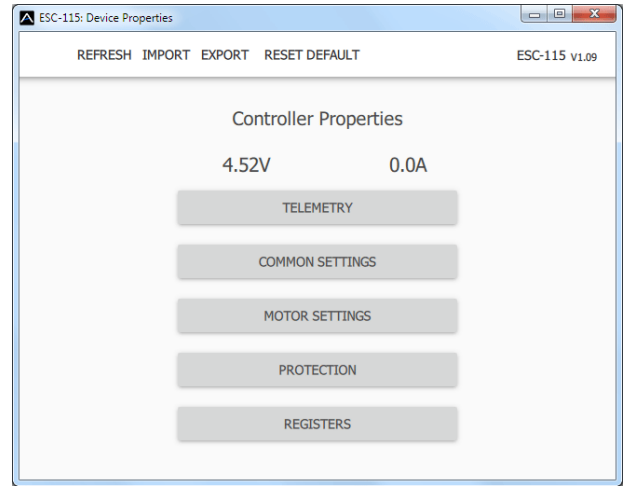
## PC CONFIGURATION

It is possible to use the MAV Manager software (1.4.0 and later) to conveniently configure all controller settings, display real-time telemetry and make a backup of the configuration. The configuration menu contains four buttons in the top toolbar:

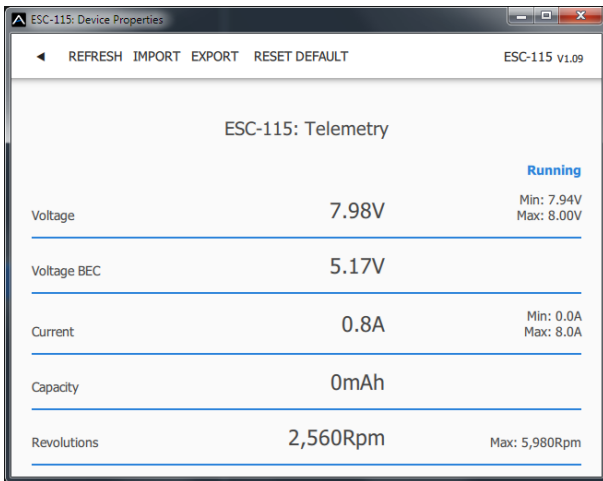
- **Refresh** – forces the configuration to be reloaded from the controller.
- **Import** – imports the settings from a file. If you have several speed controllers and want identical settings for all of them, simply import the same settings to each controller.
- **Export** – exports the settings from the controller to a file. You can easily create a backup configuration stored in your PC. After creating a backup, you may easily experiment with the controller settings and later revert back to the original configuration by pressing the “Import” button and choosing the original exported file.
- **Reset default** – resets the controller to factory defaults and reloads all the settings.



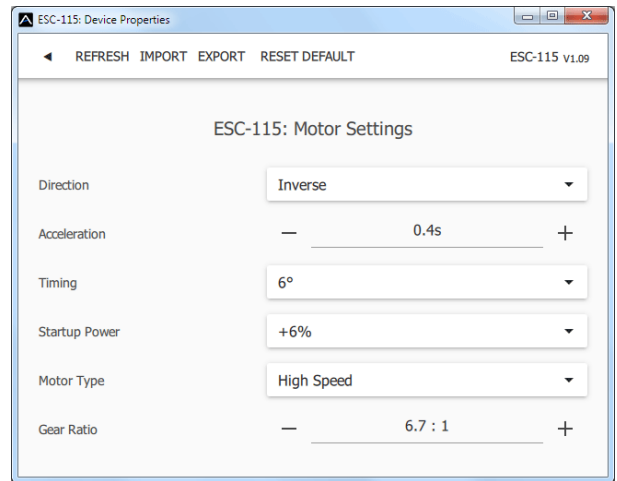
Connect the controller to your PC using the USB interface. The ESC will be automatically detected by the MAV Manager.



The controller properties are available after pressing the "Configure" button.



Real-time telemetry with min/max values. The MAV Manager is also able to create a log file from the real-time telemetry data, which can be viewed, analyzed, imported and exported.



Motor settings. Every time you make any change in the configuration, the new value is immediately transferred to the controller and saved to memory. There is no need for additional confirmation. For safety reasons, some parameters are only applied after the motor is stopped.

## WARRANTY

We grant a warranty of 24 months from the day of purchase under the assumption that they have been operated in conformity with these instructions at recommended voltages and that they were not damaged mechanically. Warranty and post warranty service is provided by the manufacturer.



## Distributor

**GB: ESG-JETI-FIALA UK**, B M Jones, 15 London Road, Hassocks, West Sussex, BN6 9NT, United Kingdom.

E-mail: [sales@esoaringgadgets.co.uk](mailto:sales@esoaringgadgets.co.uk) | Website: [www.esoaringgadgets.co.uk](http://www.esoaringgadgets.co.uk) | Phone: 44(0)7740181861

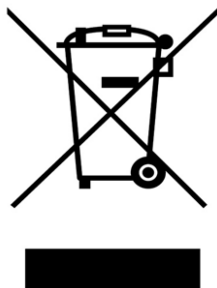
## Manufacturer

**MAV Sense s.r.o.**

E-mail: [info@mavsense.com](mailto:info@mavsense.com) | Website: [www.mavsense.com](http://www.mavsense.com)

## Information on Disposal for Users of Waste Electrical & Electronic Equipment (private households)

---



This symbol on the products and/or accompanying documents means that used electrical and electronic products should not be mixed with general household waste.

For proper treatment, recovery and recycling, please take these products to designated collection points, where they will be accepted on a free of charge basis. Alternatively, in some countries you may be able to return your products to your local retailer upon the purchase of an equivalent new product.

Disposing of this product correctly will help to save | valuable resources and prevent any potential negative effects on human health and the environment which could otherwise arise from inappropriate waste handling. Please contact your local authority for further details of your nearest designated collection point.

Penalties may be applicable for incorrect disposal of this waste, in accordance with national legislation.

### For business users in the European Union

If you wish to discard electrical and electronic equipment, please contact your dealer or supplier for further information.

### Information on Disposal in other Countries outside the European Union

This symbol is only valid in the European Union.

If you wish to discard this product, please contact your local authorities or dealer and ask for the correct method of disposal.